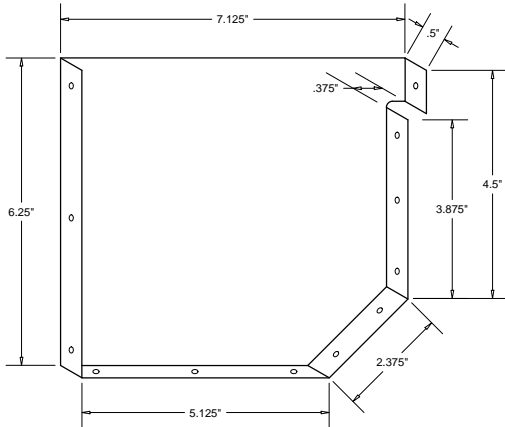


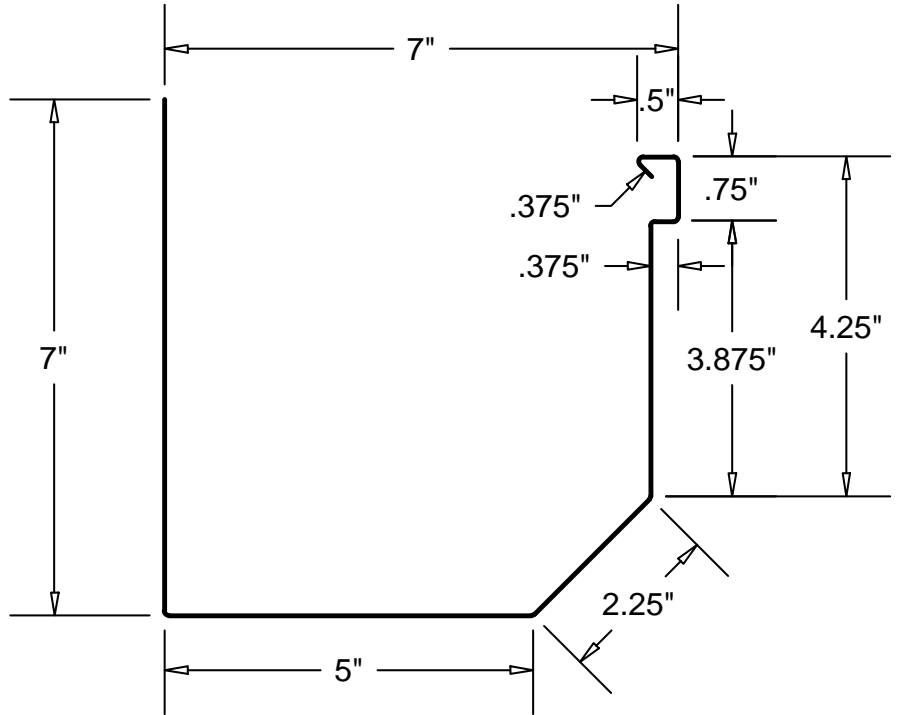
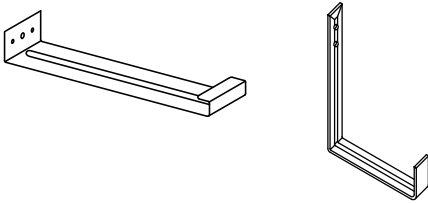
# 7-D STYLE GUTTER + ACCESSORIES



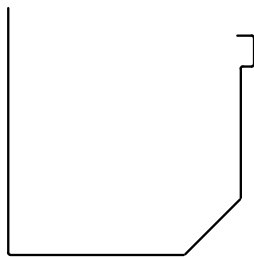
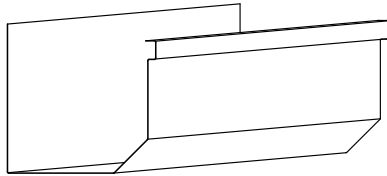
## END CAPS



## GUTTER SUPPORT BRACKETS



## SPLICE PLATES



### MATERIAL:

22GA STEEL  
24GA STEEL  
26GA STEEL (limited color availability)

.032 ALUMINUM  
.040 ALUMINUM  
.050 ALUMINUM

16OZ COPPER  
20OZ COPPER

### COLOR:

### QUANTITIES:

- \_\_\_ LINEAL FEET @ 10'-0" LENGTHS ②
- \_\_\_ LINEAL FEET @ 20'-0" LENGTHS ①②
- \_\_\_ OUTSIDE MITERS @ 90°
- \_\_\_ INSIDE MITERS @ 90°
- \_\_\_ ENDCAPS: RIGHT \_\_\_ LEFT \_\_\_
- \_\_\_ SPLICE PLATES
- \_\_\_ EXPANSION JOINTS
- \_\_\_ HIDDEN HANGERS
- \_\_\_ GUTTER SUPPORT BRACKETS

### NOTES:

- ① Subject to minimum requirements
- ② Custom lengths available

### PRINT APPROVED BY:

\_\_\_\_\_  
(SIGNATURE) (DATE)

A SIGNED PRINT APPROVAL SIGNIFIES A CUSTOMER HAS VERIFIED ALL DIMENSIONS, SIZES, QUANTITIES, AND MATERIAL TYPES.

FABRICATION WILL PROCEED ONLY AFTER RECEIPT OF SIGNED PRINT APPROVAL

### PROJECT INFORMATION

\_\_\_\_\_  
(PROJECT NAME)

\_\_\_\_\_  
(ARCHITECT)

\_\_\_\_\_  
(CUSTOMER)

\_\_\_\_\_  
(REPRESENTATIVE/ DISTRIBUTOR)

Roof Drainage Components & Accessories, Inc

60 Don Wesbrook Ave North  
Jasper, GA 30143

706-692-7333

sheffield@rdcaa.com

www.rdcaa.com