



Construction No. 176
TGKX.176
Roof Deck Constructions

[Page Bottom](#)

Design/System/Construction/Assembly Usage Disclaimer

- Authorities Having Jurisdiction should be consulted in all cases as to the particular requirements covering the installation and use of UL Listed or Classified products, equipment, system, devices, and materials.
 - Authorities Having Jurisdiction should be consulted before construction.
 - Fire resistance assemblies and products are developed by the design submitter and have been investigated by UL for compliance with applicable requirements. The published information cannot always address every construction nuance encountered in the field.
 - When field issues arise, it is recommended the first contact for assistance be the technical service staff provided by the product manufacturer noted for the design. Users of fire resistance assemblies are advised to consult the general Guide Information for each product category and each group of assemblies. The Guide Information includes specifics concerning alternate materials and alternate methods of construction.
 - Only products which bear UL's Mark are considered as Classified, Listed, or Recognized.
-

Roof Deck Constructions

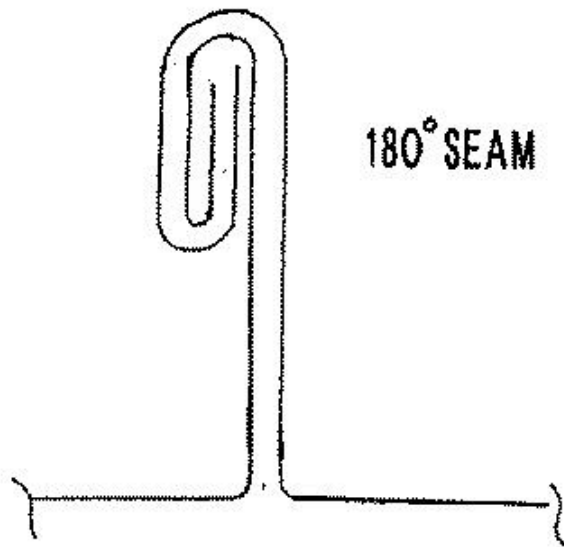
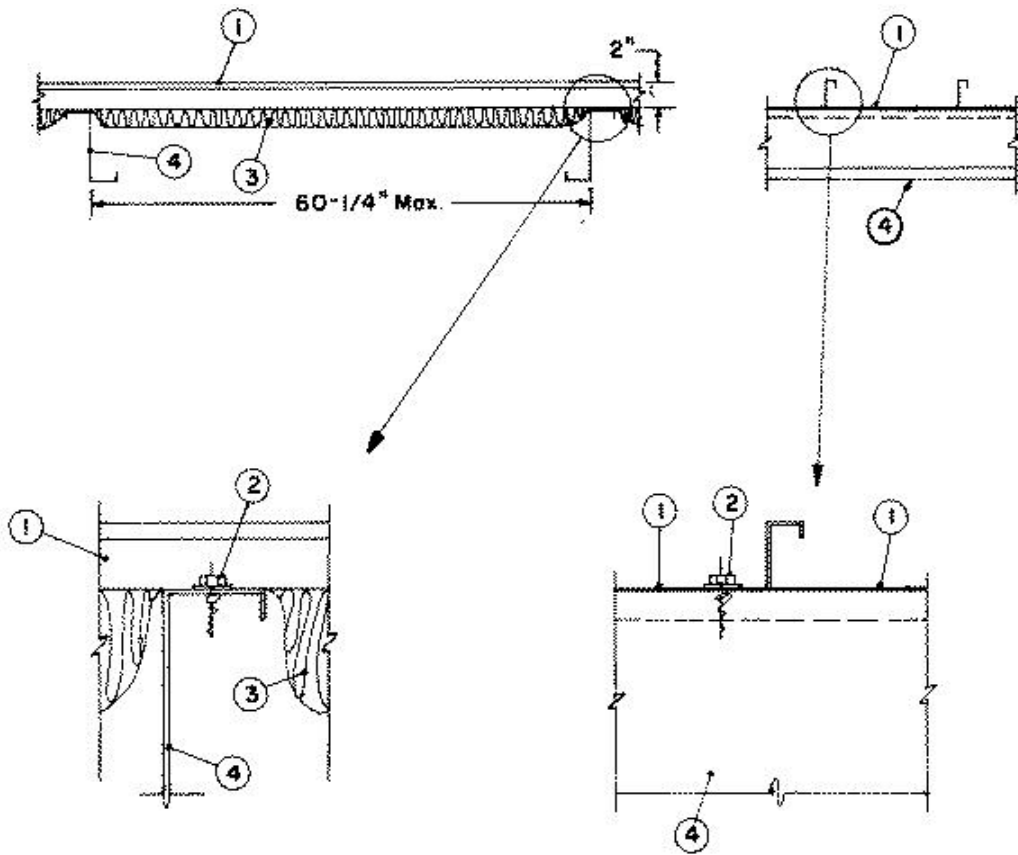
[See General Information for Roof Deck Constructions](#)

Construction No. 176

February 27, 2012

Uplift — Class 90

Fire Not Investigated



**FOR AEP-SPAN PANEL
("SPAN-SEAM")**

1. **Metal Roof Deck Panels*** — No. 24 MSG min gauge coated steel, 16 in. max width. Panels continuous over two or more spans. End lap to occur over purlins with panels overlapped 6 in. with lap beginning 1 in. from purlin rib and

extending across purlin flange. Side joints to be crimped with a special motorized crimper to a minimum 45 degree angle. A bead of sealing compound may be used at panel end and side laps. For Morin Corp., seams may be 45°, 90°, or 180°.

A-1 METAL ROOF SYSTEMS ([View Classification](#)) — "MPSS-2"

A & S BUILDING SYSTEMS L P ([View Classification](#)) — "BattenLok", "BattenLok HS" or "SuperLok"

A-LERT ROOF SYSTEMS ([View Classification](#)) — "A-Lert Loc"

AEP SPAN, DIV OF ASC PROFILES ([View Classification](#)) — "Span-Lok" or "Span-Lok HP" (90° Seam) or "SpanSeam" (180° Seam)

ADVANCED ROOFING TECHNOLOGY INC ([View Classification](#)) — "ARTK 12" and "ARTK 16"

ALLWINE ROOFING & CONSTRUCTION INC ([View Classification](#)) — "A2-16", "A2-16 Fluted" and "A2-16 with Clip Offset"

ARCHITECTURAL BUILDING COMPONENTS INC ([View Classification](#)) — "JSM 200"

ARCHITECTURAL METAL SOLUTIONS ([View Classification](#)) — "Armor-Lock"

ARCHITECTURAL METAL WORKS ([View Classification](#)) — "S 2500"

ARCHITECTURAL SHEETMETAL PRODUCTS INC ([View Classification](#)) — "ASP ML-200"

BAKER ROOFING INC ([View Classification](#)) — "2 in. Mechanical Seamed"

BUTLER MANUFACTURING, DIV OF

BLUESCOPE BUILDINGS NORTH AMERICA INC ([View Classification](#)) — "VSR11"

CENTRAL TEXAS METAL ROLLFORMING INC ([View Classification](#)) — "Spanloc 200 "

CENTURION INDUSTRIES INC, DBA TFC

CANOPY ([View Classification](#)) — "Centurion 1624M"

COATED METALS GROUP ([View Classification](#)) — "Ultra-Seam 2MS"

CONSTRUCTION METAL PRODUCTS INC ([View Classification](#)) — "CMP Series 2500"

CUSTOM-BILT METALS ([View Classification](#)) — "CB-2000"

DREXEL METALS INC ([View Classification](#)) — "DMC 200S"

DURO-LAST INC ([View Classification](#)) — "EM 200S"

EAST TEXAS ARCHITECTURAL SHEETMETAL L

L C, DBA ETAS INC ([View Classification](#)) — "2" SPANLOCK"

ENGLERT INC ([View Classification](#)) — "Series 2500"

FABRAL INC ([View Classification](#)) — "PowerSeam"

J M METALS ROOFING MFRS ([View Classification](#)) — "JM 2.0"

KIRBY BUILDING SYSTEMS INC ([View Classification](#)) — "RoofLok" and "RoofLok Plus"

KNUDSON MFG INC ([View Classification](#)) — "ULTRALOK"

MBCI ([View Classification](#)) — "BattenLok", "BattenLok HS" or "SuperLok"

MESCO METAL BUILDINGS ([View Classification](#)) — "BattenLok", "BattenLok HS" or "SuperLok"

METAL-FAB MFG LLC ([View Classification](#)) — "Met-Fab III"

METAL PANEL SYSTEMS INC ([View Classification](#)) — "MP-200" or "UC6"

METAL ROOFING SYSTEMS INC ([View Classification](#)) — "MRS System 2500"

METAL SALES MFG CORP ([View Classification](#)) — "T-Span" or "T-Span 180" (180° Seam)

PITTMAN WALLER ROOFING CO INC ([View Classification](#)) — "US-200"

SAN ANTONIO QUALITY METALS ([View Classification](#)) — "ML-200"

STEELOX SYSTEMS L L C

MORIN CORP ([View Classification](#)) — "SLR-12", "SLR-14", "SLR-16"

NCI BUILDING SYSTEMS L P ([View Classification](#)) — "BattenLok", "BattenLok HS" or "SuperLok"

NEW TECH MACHINERY CORP ([View Classification](#)) — "SS210A"

NORTH COAST COMMERCIAL ROOFING SYSTEM

OF PA INC ([View Classification](#)) — "Series 2500"

PETERSEN ALUMINUM CORP ([View Classification](#)) — "Tite-Loc" and "Tite-Loc Plus"

PETERSEN DEAN COMMERCIAL INC ([View Classification](#)) — "2" Double Lock"

PMRS ([View Classification](#)) — "200MS"

PREMIUM PANELS INC ([View Classification](#)) — "Premium Lock 210A" or "P.L. 210A"

RIFFE METALS L L C ([View Classification](#)) — "Megaloc 2.0"

ROL-TEC SYSTEMS INC ([View Classification](#)) — "ULTRALOK"

ROOFMASTERS ROOFING & SHEET METAL

CO INC ([View Classification](#)) — "Loc Master"

SHEFFIELD METALS INTERNATIONAL ([View Classification](#)) — "SMI 2" A Mechanical Seam"

SPANN ROOFING & SHEET METAL INC ([View Classification](#)) — "Spann Series 2500"

STEELOX SYSTEMS L L C ([View Classification](#)) — "Steelex LRX 262", "Steelex LRX 264", "Steelex PRX 262" or "Steelex PRX 264" (Fabricated from either coated or stainless steel)

STREAMLINE ROOFING & CONSTRUCTION

INC ([View Classification](#)) — "200MS"

SUPERIOR METAL SYSTEMS INC ([View Classification](#)) — "SMS 416"

TAYLOR METAL INC ([View Classification](#)) — "Mechanical Seam 200"

THE BRYER CO ([View Classification](#)) — "TBC-SUPERSEAM"

TREMCO INC ([View Classification](#)) — "TremLock VP Series II"

UNION CORRUGATING CO ([View Classification](#)) — "ML200"

UNITED STRUCTURES OF AMERICA INC ([View Classification](#)) — "Sure-Lok" or "Supreme-Lok"

U S METALS L L C ([View Classification](#)) — "US-210A"

VARCO PRUDEN BUILDINGS, DIV OF

BLUESCOPE BUILDINGS NORTH AMERICA INC ([View Classification](#)) — "SLR II"

ZIMMERMAN METALS INC ([View Classification](#)) — "SS2000"

2. **Fasteners** — For panel to purlin connections to be No. 12-14 by 1 in. self-drilling, self-tapping, hex-head plated steel screws with a separate 1/2 in. OD plated steel washer and a neoprene sealing washer. Spacing to be 16 in. OC with one fastener located 2 in. from the female side of each panel. Spacing at end lap to be in a 1-1/2, 3, 3-1/2, 3-1/2, 3-1/2, 1 in. pattern beginning from the female side rib.

2A. **Roof Deck Fasteners*(Panel Clips)** — (Not Shown) Used with "Tite-Loc" or "Tite-Loc Plus" Panels.

PETERSEN ALUMINUM CORP ([View Classification](#)) — "Tite-Loc AR Fixed Clip" and "Tite-Loc AR Sliding Clip", "Tite-Loc Plus AR Fixed Clip" and "Tite-Loc Plus AR Sliding Clip".

3. **Insulation** — (Optional) — Any compressible blanket insulation, 4 in. max thickness before compression.

3A. **(Optional)** — An additional 2 in. max thickness of compressible blanket insulation may be used between purlins. The additional insulation shall not be sandwiched between the upper flange of the purlin and the roof deck panel.

4. **Purlins** — 0.056 in. min thickness steel (40,000 psi min yield strength).

Refer to General Information, Roof Deck Constructions (Roofing Materials and Systems Directory) for items not evaluated.

*Bearing the UL Classification Mark

Last Updated on 2012-02-27

[Questions?](#)

[Print this page](#)

[Notice of Disclaimer](#)

[Page Top](#)

© 2012 UL LLC

The appearance of a company's name or product in this database does not in itself assure that products so identified have been manufactured under UL's Follow-Up Service. Only those products bearing the UL Mark should be considered to be Listed and covered under UL's Follow-Up Service. Always look for the Mark on the product.

UL permits the reproduction of the material contained in the Online Certification Directory subject to the following conditions: 1. The Guide Information, Designs and/or Listings (files) must be presented in their entirety and in a non-misleading manner, without any manipulation of the data (or drawings). 2. The statement "Reprinted from the Online Certifications Directory with permission from UL" must appear adjacent to the extracted material. In addition, the reprinted material must include a copyright notice in the following format: "© 2012 UL LLC".