



Construction No. 255 TGKX.255 Roof Deck Constructions

[Page Bottom](#)

Design/System/Construction/Assembly Usage Disclaimer

- Authorities Having Jurisdiction should be consulted in all cases as to the particular requirements covering the installation and use of UL Listed or Classified products, equipment, system, devices, and materials.
- Authorities Having Jurisdiction should be consulted before construction.
- Fire resistance assemblies and products are developed by the design submitter and have been investigated by UL for compliance with applicable requirements. The published information cannot always address every construction nuance encountered in the field.
- When field issues arise, it is recommended the first contact for assistance be the technical service staff provided by the product manufacturer noted for the design. Users of fire resistance assemblies are advised to consult the general Guide Information for each product category and each group of assemblies. The Guide Information includes specifics concerning alternate materials and alternate methods of construction.
- Only products which bear UL's Mark are considered as Classified, Listed, or Recognized.

Roof Deck Constructions

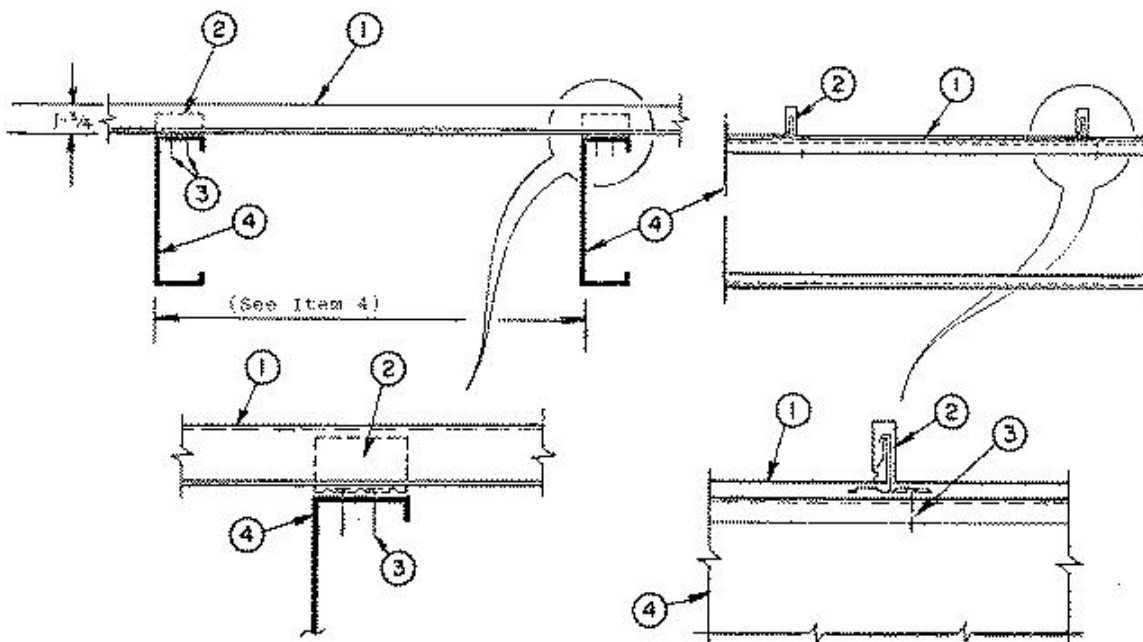
[See General Information for Roof Deck Constructions](#)

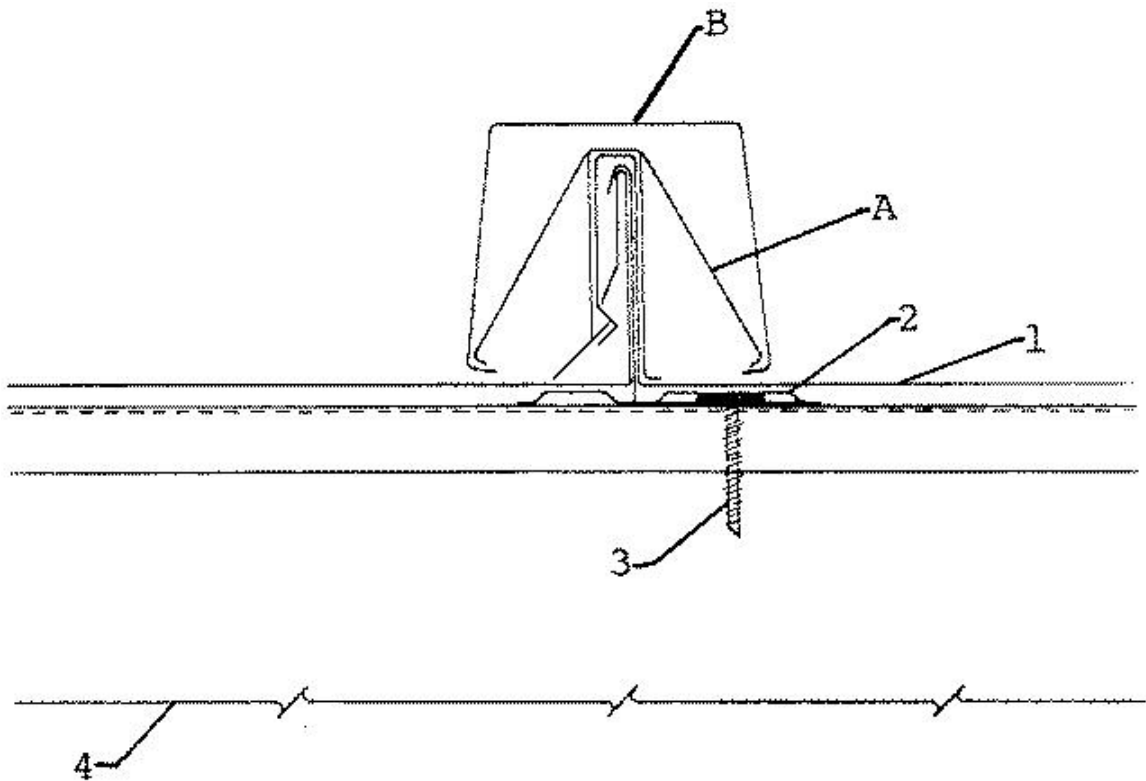
Construction No. 255

February 27, 2012

Uplift — Class 90 and 60 (See Item No. 4)

Fire Not Investigated





1. **Metal Roof Deck Panels*** — No. 24 MSG min thickness coated steel. Panel width 18 in. max., 10 in. min. Rib height 1-3/4 in. at female side. Panels continuous over two or more spans. A bead of sealant may be used at panel side joints.

A & S BUILDING SYSTEMS L P ([View Classification](#)) — "LokSeam"

ACI BUILDING SYSTEMS INC ([View Classification](#)) — "SnapLok"

AEP SPAN, DIV OF ASC PROFILES ([View Classification](#)) — "18 in. Snap Seam"

ALLIANCE STEEL INC ([View Classification](#)) — "NFS16"

AMERICAN BUILDINGS CO ([View Classification](#)) — "SeamLoc 12, 16 18"

ARCHITECTURAL BUILDING COMPONENTS INC ([View Classification](#)) — "Permaseam Panel"

ARCHITECTURAL INTEGRATED METALS INC ([View Classification](#)) — "SNAP-Seam"

ARCHITECTURAL METAL SOLUTIONS ([View Classification](#)) — "Snap-Lock"

ARCHITECTURAL METAL WORKS ([View Classification](#)) — "AMW SNAPLOCK"

ATAS INTERNATIONAL INC ([View Classification](#)) — "MRS Panel"

BAKER ROOFING INC — "Snap Seam"

BOBBY JAMES INC ([View Classification](#)) — "BJI675"

C & C ROOFING INC ([View Classification](#)) — "Series 2000"

CENTRIA ([View Classification](#)) — "SDP 175-12, -16, -18"

CENTRAL TEXAS METAL ROLLFORMING INC ([View Classification](#)) — "SHURLOC 175"

BEACON SALES ACQUISITION INC, DBA

COASTAL METAL SERVICE ([View Classification](#)) — "EZ Loc"

CONSOLIDATED SYSTEMS INC ([View Classification](#)) — "SC175"

CONSTRUCTION METAL PRODUCTS INC ([View Classification](#)) — "CMP Series 2000"

CREGO METAL SYSTEMS ([View Classification](#)) — "CregoLock"

DREXEL METALS INC ([View Classification](#)) — "DMC 175S"

DURO-LAST INC ([View Classification](#)) — "EM 175S"

EAGLE METALS MFG INC — "Eagle Metals Series 2000 Snap-Loc"

EAST TEXAS ARCHITECTURAL SHEETMETAL L

L C, DBA ETAS INC ([View Classification](#)) — "STRUCTURAL SNAP LOCK"

ENGLERT INC ([View Classification](#)) — "Series 2000"

FIRESTONE METAL PRODUCTS L L C ([View Classification](#)) — "UC-14"

MCCELROY METAL MILL INC ([View Classification](#)) — "Medallion-Lok" or "Metalogic-2000"

MBCI ([View Classification](#)) — "LokSeam"

MESCO METAL BUILDINGS ([View Classification](#)) — "LokSeam"

METALCRAFT INC ([View Classification](#)) — "MC175SL"

METAL-FAB MFG LLC ([View Classification](#)) — "MetFab Snap-On 675"

METAL FORMING INC ([View Classification](#)) — "1.75 Snap Lock Steel Panel"

METAL ROOFING SYSTEMS INC ([View Classification](#)) — "MRS System 2000"

METAL SALES MFG CORP ([View Classification](#)) — "Vertical Seam"

METAL PANEL SYSTEMS INC ([View Classification](#)) — "MP-175" or "UC14"

MODERN METAL SYSTEMS INC ([View Classification](#)) — "1-3/4 in. LOC SEAM"

MORIN CORP ([View Classification](#)) — "SWL-12", "SWL-16", "SWL-18"

NCI BUILDING SYSTEMS L P ([View Classification](#)) — "LokSeam"

NEW TECH MACHINERY CORP ([View Classification](#)) — "SS675"

NORTHWEST ROOF TILE & METAL L L C ([View Classification](#)) — "LT175"

PETERSEN ALUMINUM CORP ([View Classification](#)) — "Snap-Clad"

PETERSEN DEAN COMMERCIAL INC ([View Classification](#)) — "1.75" Snap Lock"

PREMIUM PANELS INC ([View Classification](#)) — "SS675"

RIFFE METALS L L C ([View Classification](#)) — "Rapidloc 1.75"

ROLLFAB METAL BUILDING PRODUCTS ([View Classification](#)) — "SL-175" or "1.75 Snap Lock Steel Panel"

SHEET METAL WORKS OF ARIZONA ([View Classification](#)) — "SL175"

SHEFFIELD METALS INTERNATIONAL ([View Classification](#)) — "SMI 1 ¾" SnapLock"

SOUTHEASTERN METALS MANUFACTURING CO

INC ([View Classification](#)) — "Verti-Lok"

SPANN ROOFING & SHEET METAL INC ([View Classification](#)) — "Spann Series 2000"

STEELOX SYSTEMS L L C ([View Classification](#)) — "LS-175"

STREAMLINE ROOFING & CONSTRUCTION

INC ([View Classification](#)) — "175SL"

TAYLOR METAL INC ([View Classification](#)) — "Versa Span"

TEXARKANA METAL BUILDING SUPPLY ([View Classification](#)) — "SSP 675 Panel"

TREMCO INC ([View Classification](#)) — "Tremlock SL Series II"

T T & L SHEET METAL INC ([View Classification](#)) — "Earl 300"

ULTRA SEAM INC ([View Classification](#)) — "US 175LS"

UNION CORRUGATING CO ([View Classification](#)) — "SL175"

U S METALS L L C ([View Classification](#)) — "US-175LS"

WHIRLWIND STEEL BUILDINGS INC ([View Classification](#)) — "Weather Snap-12" or "Weather Snap-16"

2. **Roof Deck Fasteners*** — (Panel Clips) — One piece assembly, 3-1/2 in. wide, 1-7/8 in. high. One panel clip located at each purlin intersection.

AEP SPAN, DIV OF ASC PROFILES ([View Classification](#)) — "Snap Seam Clip"

ARCHITECTURAL BUILDING COMPONENTS INC ([View Classification](#)) — "Permaseam Clip"

ARCHITECTURAL METAL SPECIALTIES INC ([View Classification](#)) — "178-SLU-18-G(S)", "178-SLUP-18-G(S)" and "175-SLUZ-18-G(S)".

ATAS INTERNATIONAL INC ([View Classification](#)) — "MRS Clip"

CENTRIA ([View Classification](#)) — "C175"

BEACON SALES ACQUISITION INC, DBA

COASTAL METAL SERVICE ([View Classification](#)) — "EZ Loc Panel Clip"

EXCEL STAMPING & MFG INC ([View Classification](#)) — "LS-178-18 Clip"

FIRESTONE METAL PRODUCTS L L C ([View Classification](#)) — "UC-14 Clip"

LOGAN STAMPINGS INC ([View Classification](#)) — "Snap Lock Clip No. 675"

MCELROY METAL MILL INC ([View Classification](#)) — "Medallion-Lok Clip"

METAL SALES MFG CORP ([View Classification](#)) — "Vertical Seam Clip"

MORIN CORP ([View Classification](#)) — "SWL Clip"

NCI BUILDING SYSTEMS L P ([View Classification](#)) — "Lock-Seam UL 90 Clip"

PETERSEN ALUMINUM CORP ([View Classification](#)) — "Snap-Clad Clip"

STEELOX SYSTEMS L L C ([View Classification](#)) — "LS-175 Clip"

VICWEST CORP ([View Classification](#)) — "AP Clip"

2A. **Roof Deck Fasteners (Bearing Plate)** — (Not Shown) - No. 16 MSG coated steel, 4 in. by 5 in. with guide holes. Used when Rigid Insulation (Item 5) is used.

STEELOX SYSTEMS L L C ([View Classification](#)) — "Architectural Bearing Plate"

3. **Panel Fasteners (Screws)** — Fasteners used to attach panel clips (Item 2) to purlins (Item 4) when no rigid insulation (Item 5) is used to be No. 10-16 by 1 in. long, self-drilling, self-tapping, pancake head, No. 3 point, plated steel screws. When rigid insulation is used, No. 14-13 DP1 carbon, pancake head combination Square/Phillips Drive screws to be used. Length to penetrate steel minimum of 5/8 in. Two screws per clip to be used, inserted through panel clip guide holes.

4. **Purlins** — No. 16 MSG min thickness steel (50,000 psi min yield strength).

Spacing for Class 90 to be 48 in. OC: For Class 60 to be 60 in. OC

5. **Foamed Plastic (Rigid Insulation)** — (Optional) - Not Shown - Maximum thickness 4 in. Located over purlins (Item 4) Density to be minimum 1.8 pcf. Compliant with ASTM C1289 or ASTM C578 Standards, Types IV, X or XII.

The following items may be used in conjunction with the "AEP SPAN" Metal Roof Deck Panels (Item 1). When used, the panel system is identified as "SNAP-SEAM (SBS)".

A. **Batten Clips*** — Slipped over ribs formed by roof deck panels. One piece assembly, 1-3/4 in. high, 1-3/4 in. max width, with four legs and two arms. Formed to engage ribs of AEP SPAN Panels and Batten Cap (Item 2B). Clips spaced 48 in. OC.

AEP SPAN, DIV OF ASC PROFILES ([View Classification](#)) — "SNAP-SEAM (SBS) Clip"

B. **Batten Cap*** — Slipped over batten clip. Two inches high 1-1/2 in. wide at top with sides formed to engage batten clip. Snapped over batten clips.

AEP SPAN, DIV OF ASC PROFILES ([View Classification](#)) — "SNAP-SEAM (SBS) Batten"

The following items may be used in conjunction with the "MRS Panel" (Item 1).

A. **Batten Clips*** — Slipped over ribs formed by roof deck panels. One piece assembly formed to engage ribs of "K-Lok Structural Panels (Item 1) and Batten Cap (Item B). Spaced 48 in. OC.

ATAS INTERNATIONAL INC ([View Classification](#)) — "MRS Batten Clip"

B. **Batten Cap*** — Slipped over batten clip (Item A) and formed to snap and engage batten clip.

ATAS INTERNATIONAL INC ([View Classification](#)) — "MRS Batten"

The following items may be used in conjunction with the "Design-Lok" panel (Item 1).

A. **Batten Clips*** — Slipped over ribs formed by roof deck panels. One piece assembly formed to engage ribs of "Design-Lok" panels (Item 1) and "Design-Lok Batten Cap" (Item B) spaced 48 in. OC.

METAL SALES MFG CORP ([View Classification](#)) — "Vertical Seam Batten Clip"

B. **Batten Cap*** — Slipped over batten clip (Item A), formed to snap over and engage batten clip.

METAL SALES MFG CORP ([View Classification](#)) — "Vertical Seam Batten Cap "

The following items may be used in conjunction with the "SDP 175-12, -16, -18" panels (Item 1).

A. **Batten Clips*** — Slipped over ribs formed by roof deck panels. One piece assembly formed to engage ribs of "SDP 175-12, -16, -18" panels (Item 1) and "SDP175B" battens (Item B). Spaced 48 in. OC.

CENTRIA ([View Classification](#)) — "175B"

B. **Batten Cap*** — Slipped over batten clip (Item A) and formed to snap and engage batten clip.

CENTRIA ([View Classification](#)) — "SDP 175B"

Refer to General Information Roof Deck Constructions for items not evaluated.

*Bearing the UL Classification Mark

Last Updated on 2012-02-27

[Questions?](#)[Print this page](#)[Notice of Disclaimer](#)[Page Top](#)

© 2012 UL LLC

The appearance of a company's name or product in this database does not in itself assure that products so identified have been manufactured under UL's Follow-Up Service. Only those products bearing the UL Mark should be considered to be Listed and covered under UL's Follow-Up Service. Always look for the Mark on the product.

UL permits the reproduction of the material contained in the Online Certification Directory subject to the following conditions: 1. The Guide Information, Designs and/or Listings (files) must be presented in their entirety and in a non-misleading manner, without any manipulation of the data (or drawings). 2. The statement "Reprinted from the Online Certifications Directory with permission from UL" must appear adjacent to the extracted material. In addition, the reprinted material must include a copyright notice in the following format: "© 2012 UL LLC".